

**PRESSURE SWITCHES  
PRESSURE DIFFERENCE SWITCHES  
VACUUM SWITCHES**  
From 1.5 mbar to 600 bar

# MT Dual Pressure Switches

# CATALOGUE



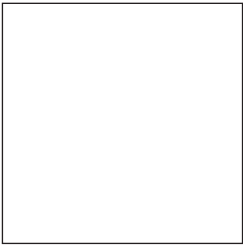
*Authorised Dealer*



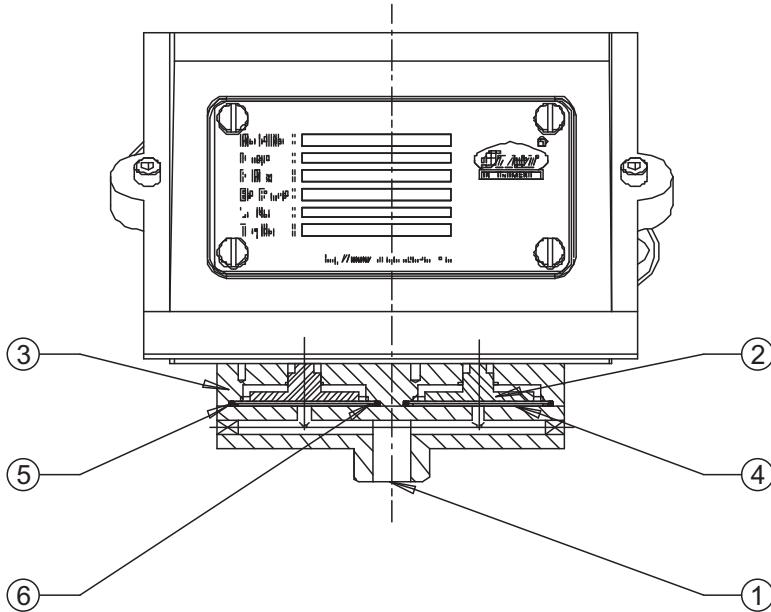
*NK Instruments Pvt. Ltd.*

B-501/504, 5th floor, Raunak Arcade, Near THC Hospital, Gokhale Road, Naupada,  
Thane(W) 400602. Maharashtra INDIA      Telefax Nos.: 91-22-25301330 / 31 / 32  
E-Mail: [sales@nkinstruments.com](mailto:sales@nkinstruments.com)      Web: <http://www.nkinstruments.com>  
Skype: nitinkelcarskye      Gtalk: nkinstruments2006





## PRESSURE CAPSULE DETAILS



### No. Description

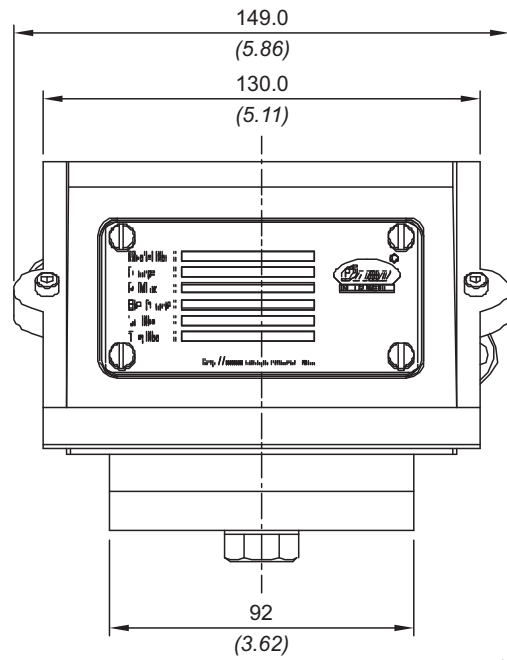
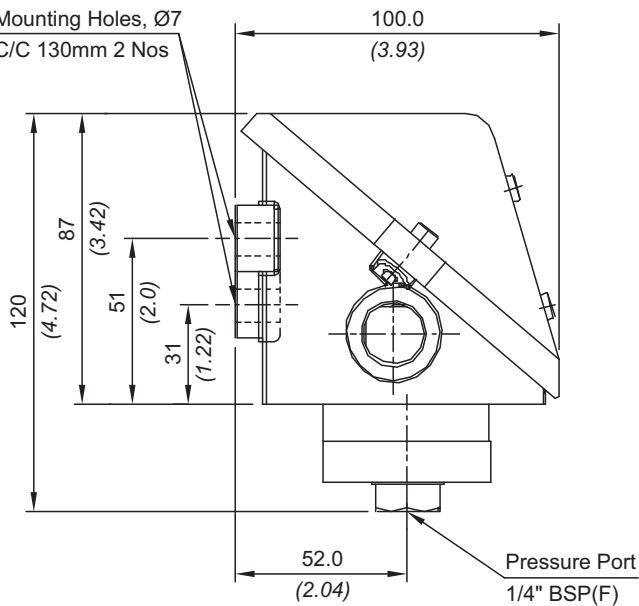
1. Pressure Port
2. Plunger
3. Disc Plate
4. Diaphragm
5. 'O' Ring
6. Backup Ring

Note : *wetted parts* are mentioned in italics.

\*Pressure ports are brazed with flange

## INSTALLATION DRAWING

Mounting Holes, Ø7  
C/C 130mm 2 Nos



APPROX. DIMENSIONS IN  $\frac{\text{mm}}{\text{inches}}$

## RANGE SELECTION TABLE

Range Code	Range bar (psi)	†Differential bar (psi)	Maximum Working Pressure bar (psi)
		Approximate Maximum for "A8" microswitch	
LP	0.067 - 0.213 (0.97 - 3.09)	0.05 (0.72)	5 (72.52)
LP5	0.1 - 0.5 (1.45 - 7.25)	0.10 (1.45)	5 (72.52)
H01	0.1 - 1.0 (1.45 - 14.50)	0.10 (1.45)	12 (174.05)
H02	0.1 - 1.5 (1.45 - 21.76)	0.20 (2.90)	12 (174.05)
H03	0.2 - 2.6 (2.90 - 37.71)	0.20 (2.90)	12 (174.05)
H04	0.2 - 3.6 (2.90 - 52.21)	0.20 (2.90)	12 (174.05)
H07	0.5 - 7.0 (7.25 - 101.50)	0.40 (5.80)	12 (174.05)
H10	0.5 - 10.0 (7.25 - 145.38)	0.60 (8.70)	25 (362.6)
H15	1.0 - 15.0 (14.5 - 217.56)	0.60 (8.70)	25 (362.6)
H30	5.0 - 25.0 (72.52 - 362.6)	0.80 (11.60)	35 (507.63)

\*Minimum differential increases with setpoint, values with neoprene diaphragm (Graphs available on request)

\*Differentials of microswitches A1 through A7 and A9 will vary.

Please indicate specifically the differential value in enquiry/order, when it is critical in your application.

### HOW TO ORDER INDUSTRIAL DUAL PRESSURE SWITCHES

Group 1	Group 2	Group 3	Group 4	Group 5	Group 6	Group 7	Group 8
Non standard allocation	Model	Cable Entry Size	Switch Type	Range Code (values in bar)	Microswitch Type	Pressure Port Material / Size	Diaphragm
<input type="checkbox"/> Reserved for non-standard options not covered in catalogue. Will be given by manufacturer, only after agreement of supply details with customer.	<b>MT</b> = Industrial dual pressure switch with diecast Aluminium enclosure to IP66 as per IS/IEC 60529	<b>1</b> = Al. head ½" NPT threads <b>3</b> = Al. head M20 X 1.5 threads	<b>KF2</b> = Dual pressure switch, fixed differential with scale in bar <b>KF3</b> = Dual pressure switch, fixed differential with scale in psi	<b>LP</b> = (0.067 - 0.213) <b>LP5</b> = (0.1 - 0.5) <b>H01</b> = (0.1 - 1.0) <b>H02</b> = (0.1 - 1.5) <b>H03</b> = (0.2 - 2.6) <b>H04</b> = (0.2 - 3.6) <b>H07</b> = (0.5 - 7.0) <b>H10</b> = (0.5 - 10.0) <b>H15</b> = (1.0 - 15.0) <b>H30</b> = (5.0 - 25.0)	<b>A1</b> = General purpose microswitch rated at 15 A; 250 VAC <b>A2</b> = Hermetically sealed for corrosive environments <b>A3</b> = gold plated contacts for low voltage applications <b>A4</b> = DPDT configuration <b>A5</b> = for high DC ratings <b>A7</b> = 2SPDT switching elements <b>A8</b> = General purpose microswitch rated at 5 A; 250 VAC <b>A9</b> = General purpose microswitch rated at 5 A; 250 VAC	<b>S1</b> = SS316 / ¼" BSP(F) <b>S2</b> = SS316 / ¼" NPT(F)	<b>0</b> = Neoprene <b>1</b> = Teflon <b>2</b> = SS 316L <b>3</b> = Hastelloy C <b>4</b> = Monel

eg. Industrial Dual switch with ½" NPT cable entry in aluminium housing as 1SPDT pressure switch, fix differential with scale having 0.2 bar to 2.6 bar pressure range, with 5A microswitch, SS316 pressure housing with ¼" BSP port size & teflon diaphragm shall be specified by

Group 1	Group 2	Group 3	Group 4	Group 5	Group 6	Group 7	Group 8
<input type="checkbox"/>	MT	1	KF2	H03	A8	S1	1

Please specify full model number to avoid ambiguity.