

**PRESSURE SWITCHES  
PRESSURE DIFFERENCE SWITCHES  
VACUUM SWITCHES**  
From 1.5 mbar to 600 bar

# MT Large Bore High Range Pressure Switches

## CATALOGUE



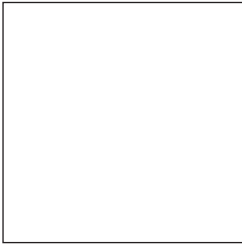
Authorised Dealer



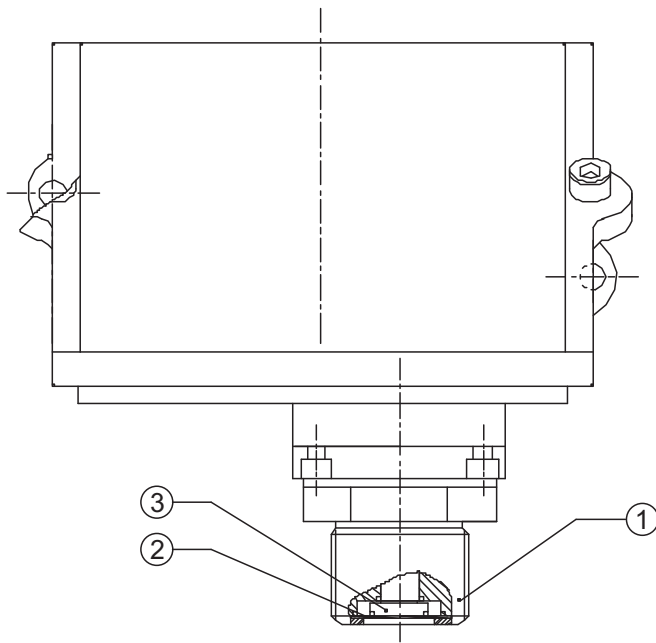
*NK Instruments Pvt. Ltd.*

B-501/504, 5th floor, Raunak Arcade, Near THC Hospital, Gokhale Road, Naupada,  
Thane(W) 400602. Maharashtra INDIA      Telefax Nos.: 91-22-25301330 / 31 / 32  
E-Mail: sales@nkinstruments.com      Web: <http://www.nkinstruments.com>  
Skype: nitinkelcarskype      Gtalk: nkinstruments2006





## PRESSURE CAPSULE DETAILS



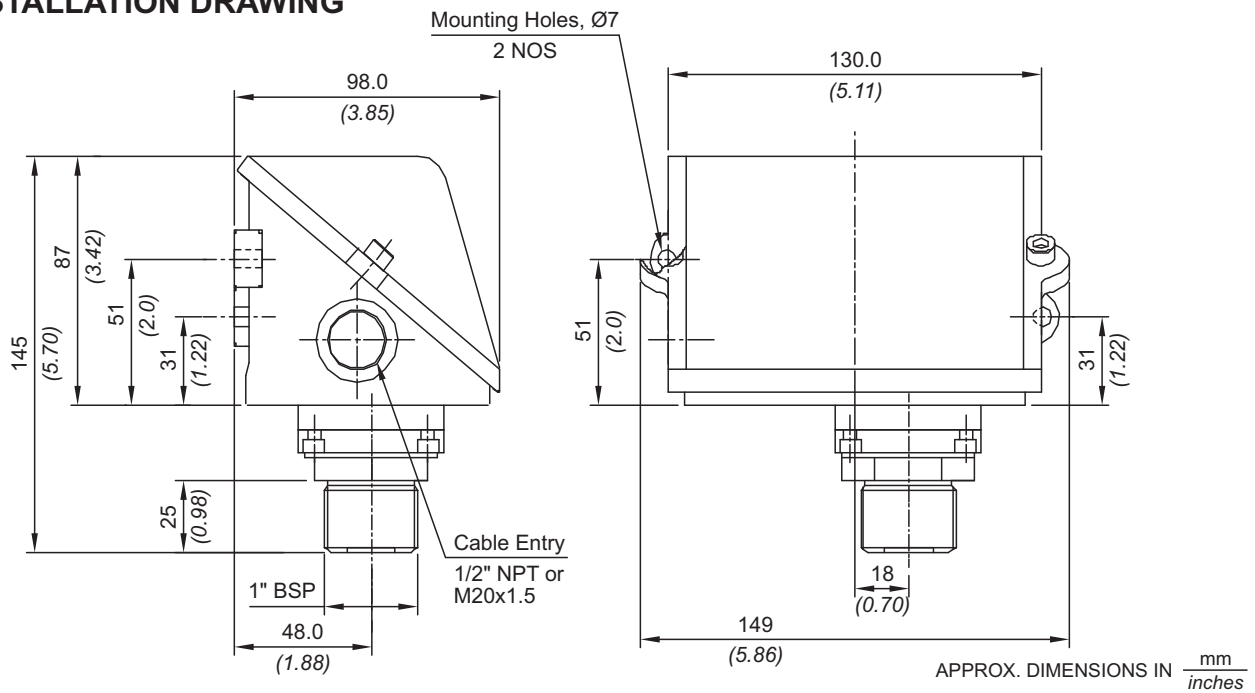
### No. Description

1. Pressure housing (SS316)
2. Diaphragm (SS316)
3. Plunger (SS316)

Note : *wetted parts* are mentioned in italics.

\*Pressure ports are brazed with flange

## INSTALLATION DRAWING



## RANGE SELECTION TABLE

| Range Code | Range bar (psi)                | Differential* bar (psi)                  | Maximum Working Pressure bar (psi) |
|------------|--------------------------------|--|------------------------------------|
|            |                                | Approximate Maximum for "A8" microswitch |                                    |
| H01        | 0.1 - 1.0<br>(1.45 - 14.50)    | 0.10<br>(1.43)                           | 12<br>(171.43)                     |
| H02        | 0.1 - 1.5<br>(1.45 - 21.76)    | 0.20<br>(2.86)                           | 12<br>(171.43)                     |
| H03        | 0.2 - 2.6<br>(2.90 - 37.71)    | 0.20<br>(2.86)                           | 12<br>(171.43)                     |
| H04        | 0.2 - 3.6<br>(2.90 - 52.21)    | 0.20<br>(2.86)                           | 12<br>(171.43)                     |
| H07        | 0.5 - 7.0<br>(7.25 - 101.50)   | 0.40<br>(5.72)                           | 12<br>(171.43)                     |
| H10        | 0.5 - 10.0<br>(7.14 - 142.86)  | 0.60<br>(8.58)                           | 25<br>(357.14)                     |
| H15        | 1.0 - 15.0<br>(14.29 - 214.29) | 0.60<br>(8.58)                           | 25<br>(357.14)                     |
| H30        | 5.0 - 25.0<br>(71.43 - 357.14) | 0.80<br>(11.44)                          | 35<br>(500.00)                     |

\*Minimum differential increases with setpoint (Graphs available on request), results for neoprene diaphragm.



Note: Welded diaphragm also available as shown

### HOW TO ORDER INDUSTRIAL LARGE BORE HIGH RANGE PRESSURE SWITCHES

| Group 1   | Group 2   | Group 3   | Group 4  | Group 5   | Group 6  | Group 7  | Group 8  |
|---|---|---|--|---|--|--|--|
| Non standard allocation   | Model   | Cable Entry Size  | Switch Type  | Range Code (values in bar)  | Microswitch Type   | Pressure Port Material / Size                                  | Diaphragm  |
| <input type="checkbox"/> Reserved for non-standard options not covered in catalogue. Will be given by manufacturer, only after agreement of supply details with customer. | <b>MT</b> = Industrial pressure switch with diecast Aluminium enclosure to IP66 as per IS2147 | <b>1</b> = Al. head 1/2" NPT threads<br><b>3</b> = Al. head M20 X 1.5 threads | <b>PF2</b> = pressure switch, fixed differential with scale in bar<br><b>PF3</b> = pressure switch, fixed differential with scale in psi | <b>H01</b> = (0.1 - 1.0)<br><b>H02</b> = (0.1 - 1.5)<br><b>H03</b> = (0.2 - 2.6)<br><b>H04</b> = (0.2 - 3.6)<br><b>H07</b> = (0.5 - 7.0)<br><b>H10</b> = (0.5 - 10.0)<br><b>H15</b> = (1.0 - 15.0)<br><b>H30</b> = (5.0 - 25.0) | <b>A1</b> = General purpose microswitch rated at 15 A; 250 VAC<br><b>A2</b> = Hermetically sealed for corrosive environments<br><b>A3</b> = gold plated contacts for low voltage applications<br><b>A4</b> = DPDT configuration<br><b>A5</b> = for high DC ratings<br><b>A7</b> = 2SPDT switching elements<br><b>A9</b> = General purpose microswitch rated at 5 A; 250 VAC<br><br>Please refer page no. 230 for more microswitch options<br>* Please refer note under Range Selection Table | <b>S3</b> = SS316 / 1" BSP(M)<br><b>N3</b> = Monel / 1" BSP(M) | <b>0</b> = Neoprene<br><b>1</b> = Teflon<br><b>2</b> = SS 316L<br><b>4</b> = Monel |

eg. Industrial switch with 1/2" NPT cable entry in aluminium housing as 1SPDT pressure switch, fixed differential with scale having 0.1 bar to 1 bar pressure range, with 15Amp. microswitch, SS316 pressure housing with 1/4" BSP port size & neoprene diaphragm shall be specified by

| Group 1                  | Group 2 | Group 3 | Group 4 | Group 5 | Group 6 | Group 7 | Group 8 |
|--------------------------|---------|---------|---------|---------|---------|---------|---------|
| <input type="checkbox"/> | MT      | 1       | PF2     | H01     | A1      | S3      | 0       |

Please specify full model number to avoid ambiguity.