

**PRESSURE SWITCHES
PRESSURE DIFFERENCE SWITCHES
VACUUM SWITCHES**
From 1.5 mbar to 600 bar

MT Low Range Pressure Switches

CATALOGUE



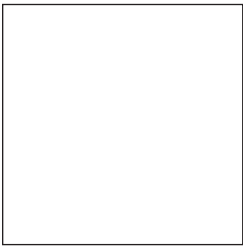
Authorised Dealer



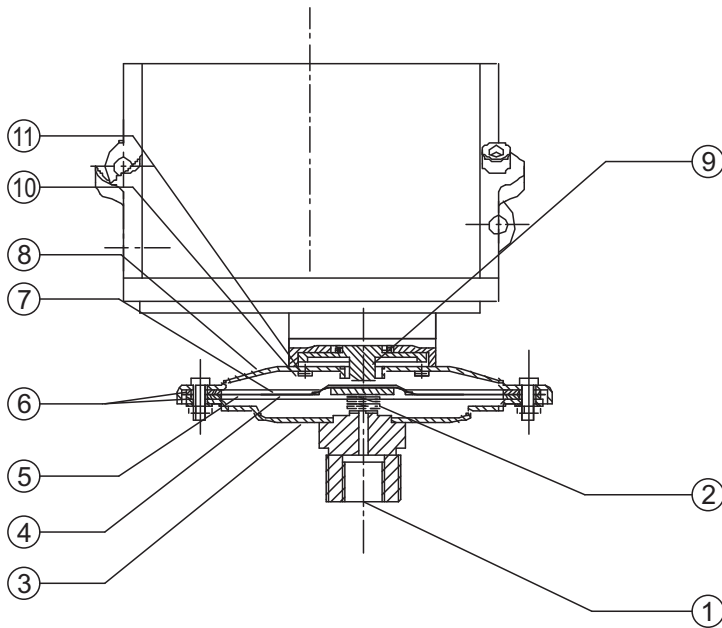
NK Instruments Pvt. Ltd.

B-501/504, 5th floor, Raunak Arcade, Near THC Hospital, Gokhale Road, Naupada,
Thane(W) 400602. Maharashtra INDIA Telefax Nos.: 91-22-25301330 / 31 / 32
E-Mail: sales@nkinstruments.com Web: <http://www.nkinstruments.com>
Skype: nitinkelkarskype Gtalk: nkinstruments2006





PRESSURE CAPSULE DETAILS



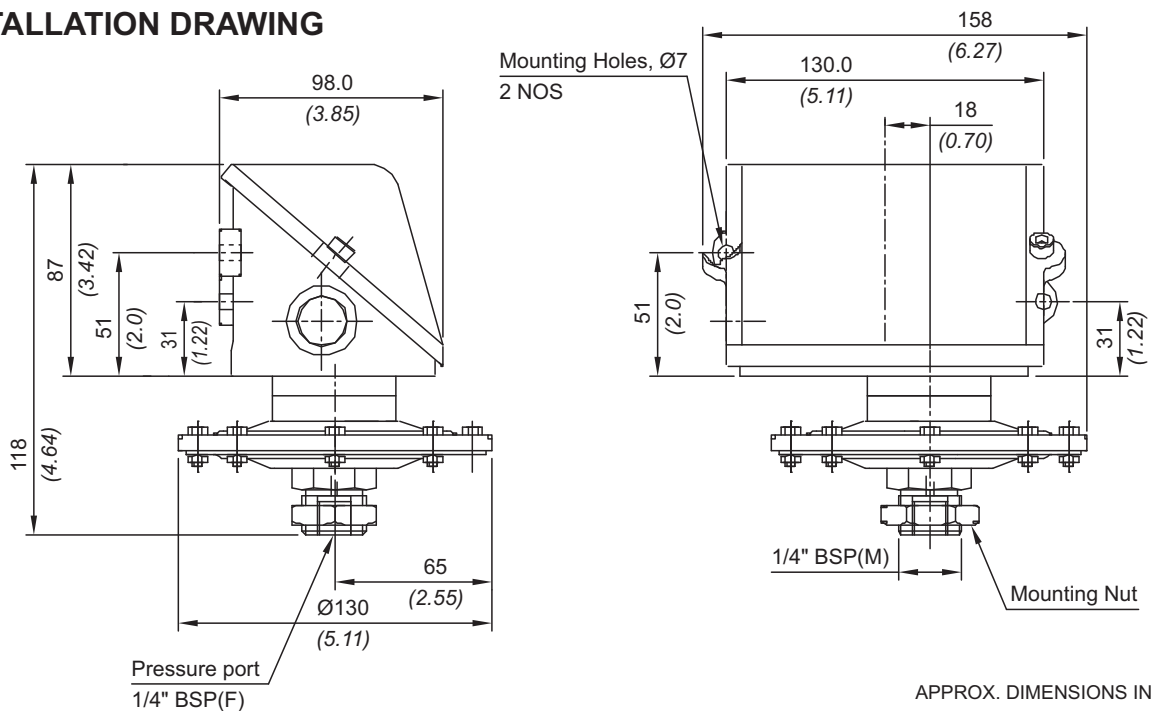
No. Description

1. Pressure port (S.S.)
2. Support spring (S.S.)
3. Bottom flange (S.S.)
4. Support plate (Aluminium)
5. Diaphragm (Neoprene)
6. Gasket (Teflon)
7. Top plate (Aluminium)
8. Top flange (S.S.)
9. Plunger
10. Top flange screw (S.S.)
11. Sealing 'O' ring (Nitrile)

Note : *wetted parts* are mentioned in italics.

*Pressure ports are brazed with flange

INSTALLATION DRAWING



LOW RANGE PRESSURE SWITCHES **MT**

RANGE SELECTION TABLE

Range Code	Range mbar ("wc)	Differential* mbar ("wc)	Maximum Working Pressure bar (psi)
		Approximate Maximum for "A1" microswitch	
L02	1.5 - 15.0 (0.602 - 6.021)	3 (1.204)	2 (29.00)
L03	5.0 - 25.0 (2.007 - 10.037)	5 (2.007)	2 (29.00)
L05	10.0 - 50.0 (4.015 - 20.073)	5 (2.007)	2 (29.00)
L10	10.0 - 100.0 (4.015 - 40.146)	10 (4.015)	2 (29.00)
L15	10.0 - 150.0 (4.015 - 60.22)	10 (4.015)	2 (29.00)
L25	20.0 - 250.0 (8.029 - 100.36)	15 (6.021)	2 (29.00)
L35	50.0 - 350.0 (20.073 - 140.52)	25 (10.036)	2 (29.00)

*Minimum differential increases with setpoint, values with neoprene diaphragm (Graphs available on request)

* Differentials of microswitches A2 through A9 will vary. Differentials for A7 are typically twice that for A1 microswitch. Please indicate specifically the differential value in enquiry/order, when it is critical in your application.

HOW TO ORDER INDUSTRIAL LOW RANGE PRESSURE SWITCHES

Group 1	Group 2	Group 3	Group 4	Group 5	Group 6	Group 7	Group 8
Non standard allocation	Model	Cable Entry Size	Switch Type	Range Code (values in mbar)	Microswitch Type	Pressure Port Material / Size	Diaphragm
<input type="checkbox"/> Reserved for non-standard options not covered in catalogue. Will be given by manufacturer, only after agreement of supply details with customer.	MT = Industrial pressure switch with diecast Aluminium enclosure to IP66 as per IS/IEC 60529	1 = Al. head 1/2" NPT threads 3 = Al. head M20 X 1.5 threads	PF1 = pressure switch, fixed differential without scale PF2 = pressure switch, fixed differential with scale in mbar PF3 = pressure switch, fixed differential with scale in "wc *PA1 = pressure switch, adjustable differential without scale *PA2 = pressure switch, adjustable differential with scale in mbar *PA3 = pressure switch, adjustable differential with scale in "wc *Available with A9 (in group 6) only	L02 = (1.5 - 15) L03 = (5 - 25) L05 = (10 - 50) L10 = (10 - 100) L15 = (10 - 150) L25 = (20 - 250) L35 = (50 - 350)	A1 = General purpose microswitch rated at 15 A; 250 VAC *A2 = Hermetically sealed for corrosive environments *A3 = gold plated contacts for low voltage applications *A4 = DPDT configuration *A5 = for high DC ratings *A7 = 2SPDT switching elements *A9 = General purpose microswitch rated at 5 A; 250 VAC	M1 = M.S. powder coated / 1/4" BSP(F) M2 = M.S. powder coated / 1/4" NPT(F) S1 = SS316 / 1/4" BSP(F) S2 = SS316 / 1/4" NPT(F)	0 = Neoprene 1 = Teflon 2 = SS316L

eg. A low range weatherproof switch, with 1/2" NPT cable entry in aluminium housing as 1SPDT pressure switch, fixed differential without scale, having 5 mbar to 25mbar pressure range, with 15Amp. microswitch, SS316 pressure housing with 1/4" BSP port size & neoprene diaphragm shall be specified by

Group 1	Group 2	Group 3	Group 4	Group 5	Group 6	Group 7	Group 8
<input type="checkbox"/>	MT	1	PF1	L03	A1	S1	0

Please specify full model number to avoid ambiguity.