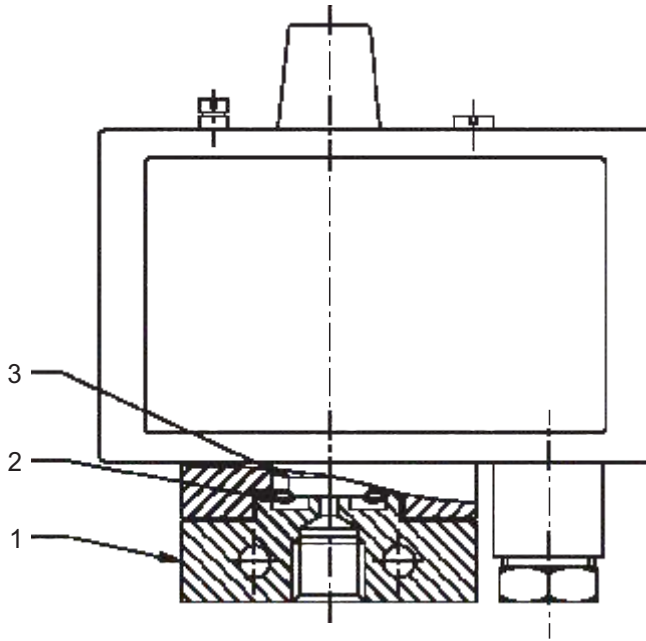


MG / ME HIGH RANGE PRESSURE SWITCHES



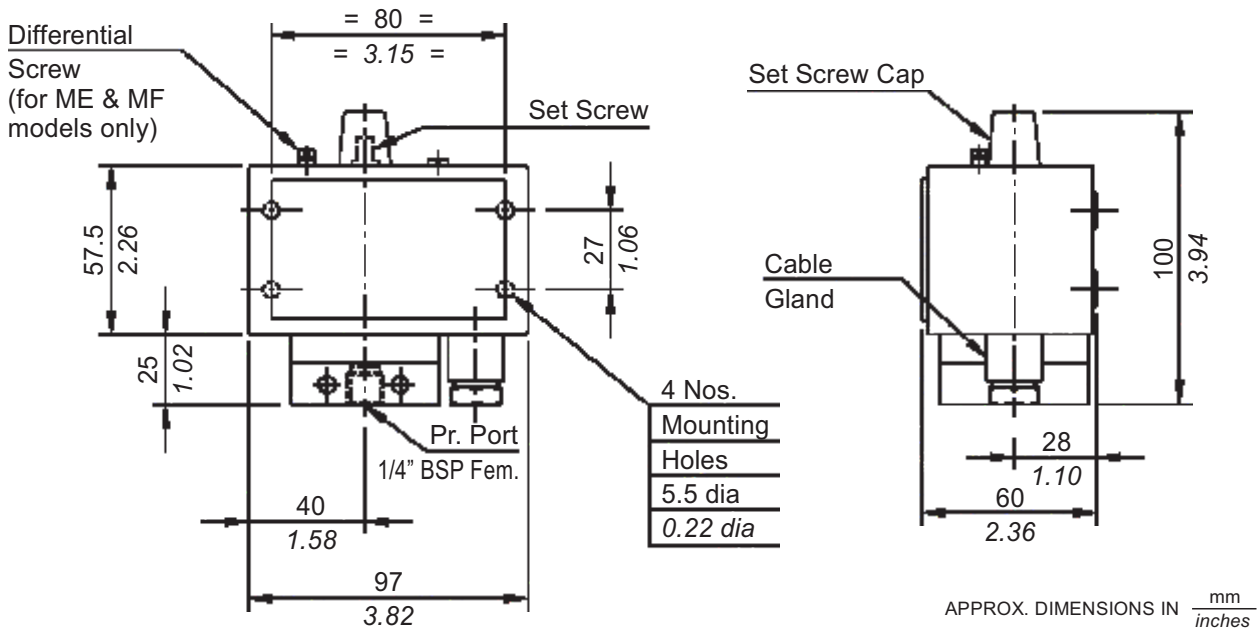
PRESSURE CAPSULE DETAILS



- No. Description**
1. Pressure Housing
 2. Diaphragm
 3. Plunger

Note : *wetted parts* are mentioned in italics.

INSTALLATION DRAWING



HIGH RANGE PRESSURE SWITCHES MG / ME

General information:

MG / ME series pressure switches are housed in pressed steel powder coated enclosure and are recommended for panel mounting or indoor service. The repeat accuracy is better than $\pm 1.5\%$ FSR. A 3/8" cable entry is provided for cables and a terminal strip suitable for wired ends is provided inside the enclosure. Pressure port is 1/4" BSPF standard.

Features:

Compact
Choice of wetted parts to suit working media
Electrical rating : 5A, 250 VAC; 0.2 A, 250 VDC (res.)
Proof pressure available can be 4 times MWP (optional)
Pressure port: 1/4" BSPF

Some Applications : Used in textile industries, furnaces, compressors, etc.

Range Selection Table

Range Code	Range † bar (psi)	MG		ME	
		*Approximate Maximum Differential bar (psi)	*Adjustable Differential bar (psi)	Maximum Working Pressure bar (psi)	
LP	0.067 - 0.213 (0.96 - 3.09)	0.02 (0.30)	-	5 (72.52)	
LP5	0.1 - 0.5 (1.45 - 7.25)	0.10 (1.45)	-	5 (72.52)	
H01	0.1 - 1.0 (1.45 - 14.50)	0.08 (1.16)	0.12 - 1.0 (1.74 - 14.50)	12 (174.05)	
H02	0.1 - 1.5 (1.45 - 21.76)	0.10 (1.45)	0.3 - 1.0 (4.35 - 14.50)	12 (174.05)	
H03	0.2 - 2.6 (2.90 - 37.71)	0.20 (2.90)	0.3 - 1.5 (4.35 - 21.76)	12 (174.05)	
H04	0.2 - 3.6 (2.90 - 52.21)	0.20 (2.90)	0.3 - 1.5 (4.35 - 21.76)	12 (174.05)	
H07	0.5 - 7.0 (7.25 - 101.53)	0.40 (5.80)	1.0 - 6.0 (14.50 - 87.02)	12 (174.05)	
H10	0.5 - 10.0 (7.25 - 145.04)	0.60 (8.70)	1.5 - 8.0 (21.76 - 116.03)	25 (362.6)	
H15	1.0 - 15.0 (14.50 - 217.71)	0.60 (8.70)	1.8 - 10.0 (26.11 - 145.04)	25 (362.6)	
H30	5.0 - 25.0 (72.52 - 362.6)	2.50 (36.26)	2.5 - 10.0 (36.26 - 145.04)	35 (507.63)	

*Minimum differential increases with setpoint (Graphs available on request)

† rising pressure for MG series; falling pressure for ME series

? approx 50 mm Hg to 160 mm Hg. Scale calibrated in mm Hg for this range only.

How to order MG / ME series high range pressure switches.

Group 1	Group 2	Group 3	Group 4	Group 5	Group 6
Model	Range Code	Range Scale	Pressure Housing	Diaphragm	Enclosure
MG - Fixed Differential Pressure Switch ME - Adj. Differential Pressure Switch	H - High range Pressure Switch	C - Calibrated	A - Aluminium B - Brass S - SS316	0 - Neoprene 1 - Teflon	0 - IP 40 as per IS 2147

eg. A fixed differential pressure switch, high pressure range from 0.1-1.0 bar in calibrated style with brass pressure housing & a teflon diaphragm shall be specified by

Group 1	Group 2	Group 3	Group 4	Group 5	Group 6
MG	H01	C	B	1	0

Please specify full model number to avoid ambiguity. If only the first two groups are specified while ordering, calibrated switches with standard wetted parts will be supplied.

Authorised Dealer



NK Instruments Pvt. Ltd.

B-501/504, 5th floor, Raunak Arcade, Near THC Hospital, Gokhale Road, Naupada, Thane(W) 400602. Maharashtra INDIA
E-Mail: sales@nkstruments.com
Skype: nitinkelkarskype

Telefax Nos.: 91-22-25301330 / 31 / 32
Web: http://www.nkstruments.com
Gtalk: nkstruments2006

